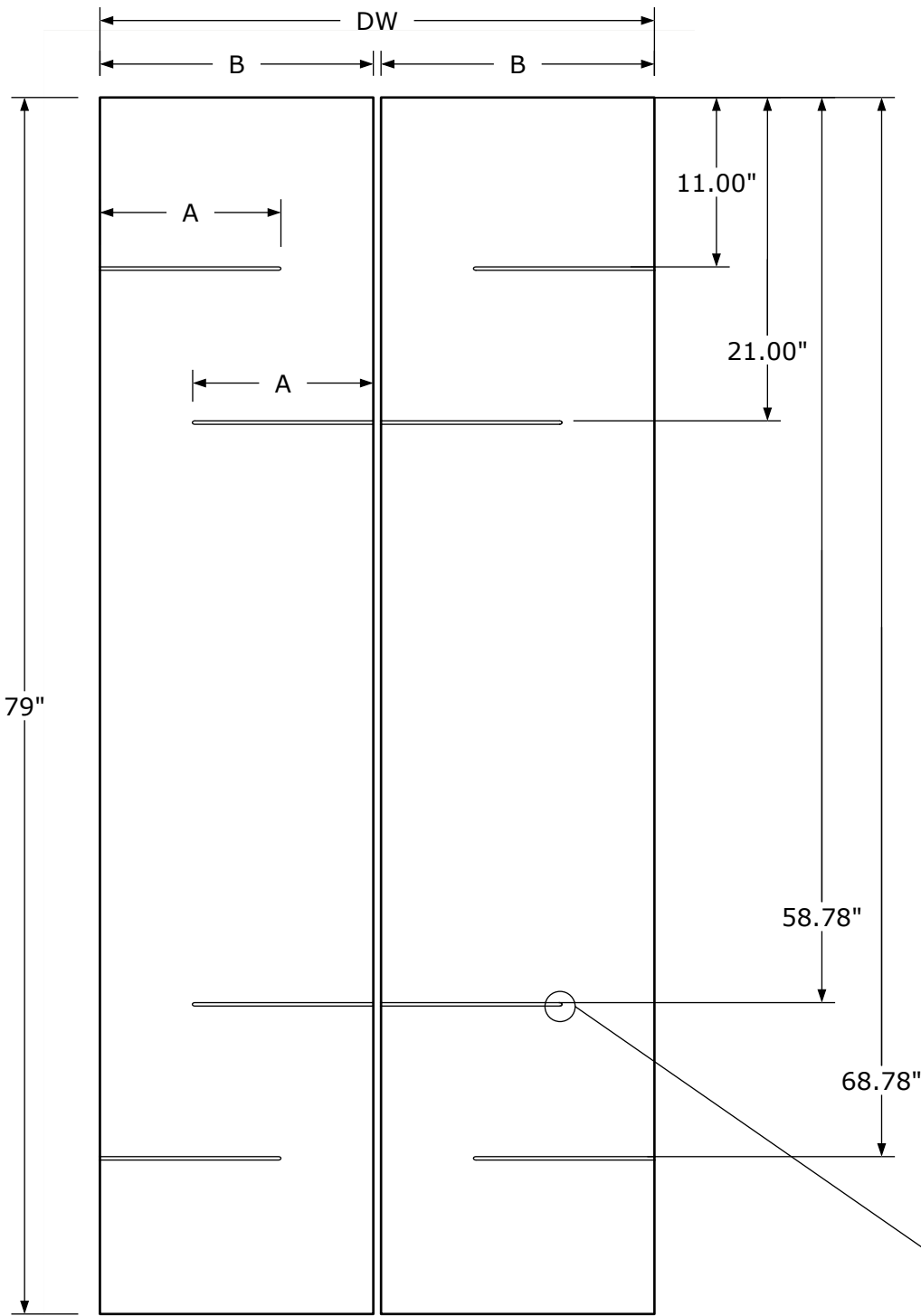
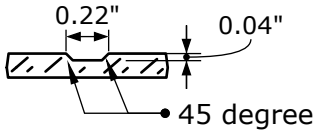


# FINE LINE



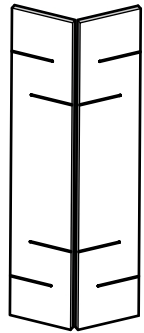
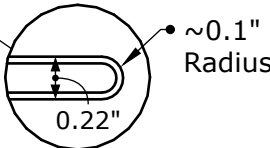
Route Profile  
SCALE 1:1



Ballard Bifold 6'8"		
DW	A	B
4-0	15.875	23.75
3-6	14.00	20.75
3-0	11.75	17.75
2-8	10.375	15.75
2-6	9.75	14.75
2-4	9.125	13.75
2-0	7.75	11.75
1-6	5.75	8.75

- Notes:
1. Dimensions are to Outside of Route Profile
  2. Line symmetry tolerance  $\pm 3/16"$
  3. Groove Depth  $\pm .01"$

Route Detail  
SCALE 1:1



**Lynden Door**

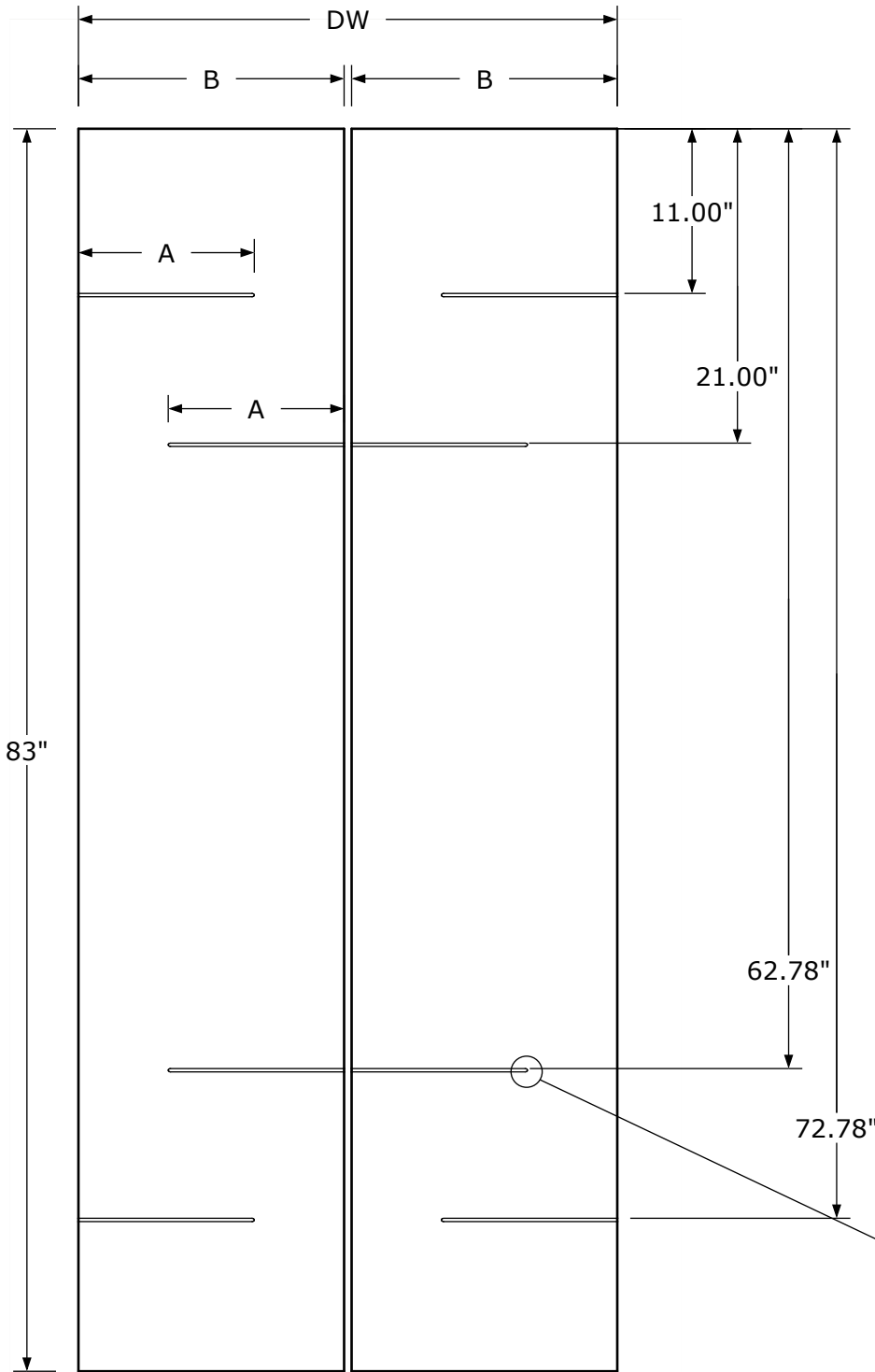
Fineline

**Ballard Bifold**

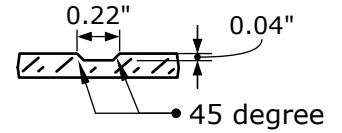
DIMENSIONS ARE IN: Inches  
DOOR TOLERANCES  
WIDTH (FULL WIDTH):  $\pm 1/16$   
WIDTH (PREFIT):  $\pm 1/32$   
HEIGHT:  $\pm 1/16$   
SQUARE:  $\pm 1/8$

THE INFORMATION CONTAINED IN THIS DRAWING IS THE SOLE PROPERTY OF Lynden Door, Inc. ANY REPRODUCTION IN PART OR AS A WHOLE WITHOUT THE WRITTEN PERMISSION OF Lynden Door, Inc. IS PROHIBITED.

11/24/25  
CS



Route Profile  
SCALE 1:1

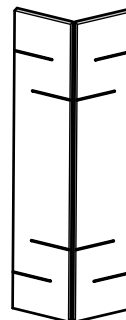
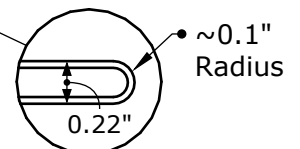


Ballard Bifold 7'0"		
DW	A	B
4-0	15.75	23.75
3-6	13.75	20.75
3-0	11.75	17.75
2-8	10.375	15.75
2-6	9.75	14.75
2-4	9.125	13.75
2-0	7.75	11.75
1-6	5.75	8.75

Notes:

1. Dimensions are to Outside of Route Profile
2. Line symmetry tolerance  $\pm 3/16"$
3. Groove Depth  $\pm .01"$

Route Detail  
SCALE 1:1



**Lynden Door**

Fineline

**Ballard Bifold**

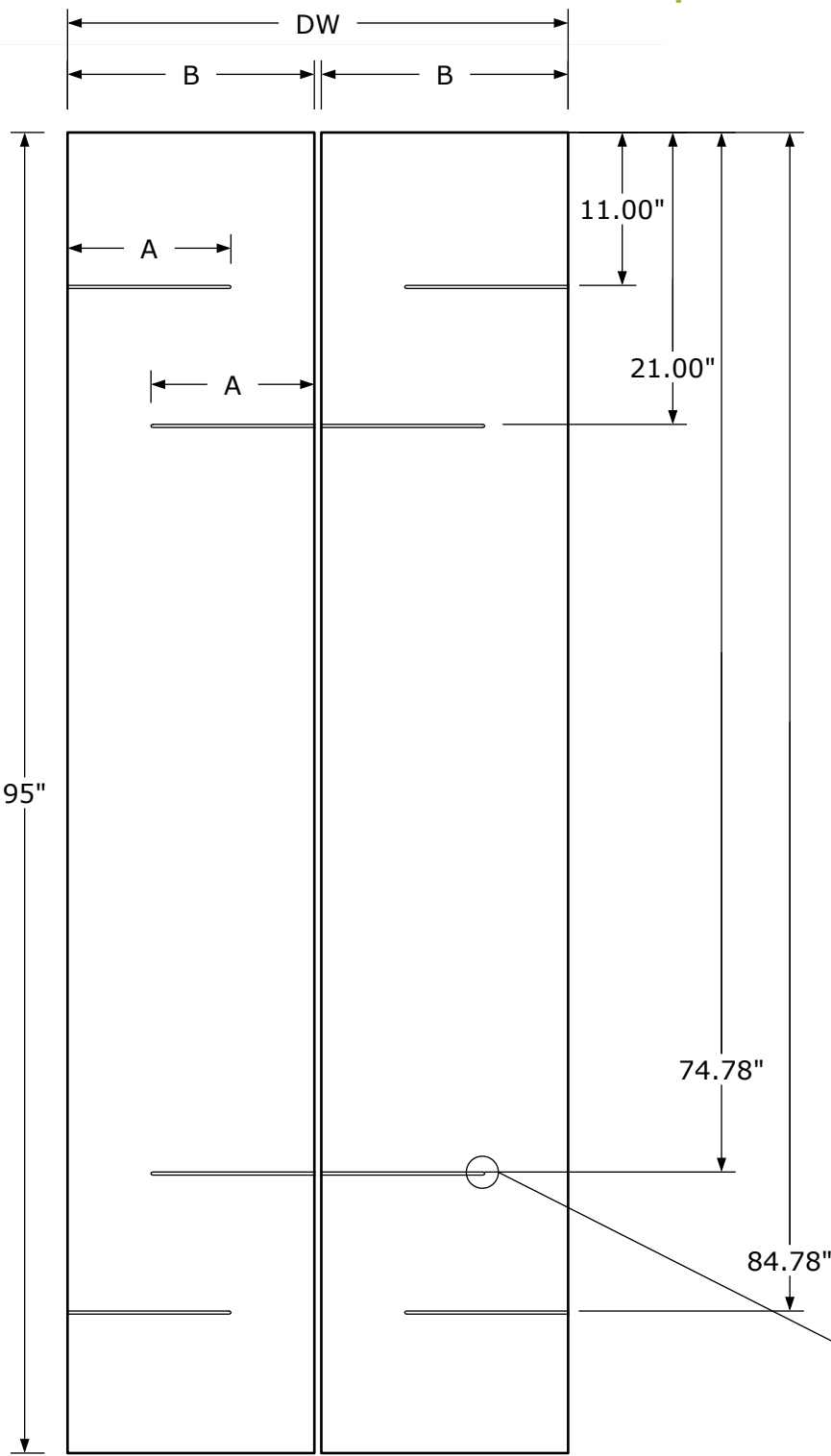
DIMENSIONS ARE IN: Inches  
DOOR TOLERANCES  
WIDTH (FULL WIDTH):  $\pm 1/16$   
WIDTH (PREFIT):  $\pm 1/32$   
HEIGHT:  $\pm 1/16$   
SQUARE:  $\pm 1/8$

THE INFORMATION CONTAINED IN THIS DRAWING IS THE SOLE PROPERTY OF Lynden Door, Inc. ANY REPRODUCTION IN PART OR AS A WHOLE WITHOUT THE WRITTEN PERMISSION OF Lynden Door, Inc. IS PROHIBITED.

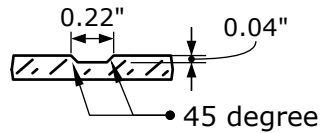
11/24/25

CS

# FINE LINE



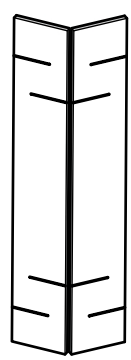
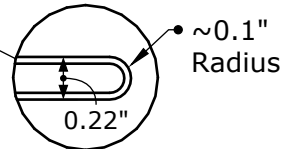
Route Profile  
SCALE 1:1



Ballard Bifold 8'0"		
DW	A	B
4-0	15.75	23.75
3-6	13.75	20.75
3-0	11.75	17.75
2-8	10.375	15.75
2-6	9.75	14.75
2-4	9.125	13.75
2-0	7.75	11.75
1-6	5.75	8.75

- Notes:
1. Dimensions are to Outside of Route Profile
  2. Line symmetry tolerance  $\pm 3/16"$
  3. Groove Depth  $\pm .01"$

Route Detail  
SCALE 1:1



Fineline  
**Ballard Bifold**